

Sandall Road
Wisbech
PE13 2PS UK

Tel: +44 (0)1945 47 47 47
Fax: +44 (0)1945 47 48 49

5th May 2017

Dear Customer,

Anglia have been advised by the manufacturer Taicom that the tooling for the series listed below has been updated with immediate effect, this is due to the old tooling being beyond its serviceable life.

Taicom advise they have also taken this opportunity to revise the mouldings to improve the efficiency and yield of the production process. The revised parts have some minor dimensional and cosmetic appearance changes which do not impact the form, fit or function of the parts. Attached below are the old and new data sheets for comparison purposes.

Series affected by this notification
TBH2xxBGN

Anglia operates a strict F.I.F.O system in our Distribution Centre therefore it may take some time for this change to filter through to customer deliveries.

Please ensure this information is circulated to the relevant persons within your organisation.

Yours Sincerely
Anglia

HORIZONTAL (90°)

10mm PITCH

TAICOM type TBH2/BGN



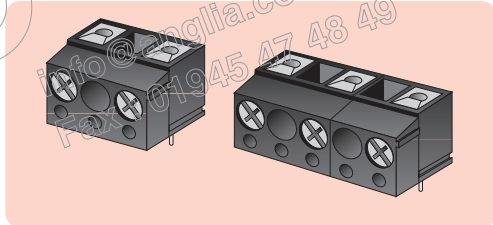
Standard size, 10mm pitch blocks fitted with wire protection guards. Wider spacing, using alternative positions in the mouldings, offers improved isolation. Choice of 2 to 12 way. Holes provided for test probes.

TECHNICAL DATA
FOR REFERENCE PURPOSES ONLY

anglia.com

www.anglia.com
Tel : 01945 47 47 47

- ◆ 10mm pitch, 16A rating
- ◆ Standard size, 12.6mm depth
- ◆ Wide pin spacing for 240Vac
- ◆ Wire protection
- ◆ Combi screws suit pneumatic tools
- ◆ Black UL94V-0 flame retardant bodies



| Type | Manf. Part No. & anglia Order Code |
|--------|------------------------------------|
| 2 way | TBH202BGN |
| 3 way | TBH203BGN |
| 4 way | TBH204BGN |
| 5 way | TBH205BGN |
| 6 way | TBH206BGN |
| 7 way | TBH207BGN |
| 8 way | TBH208BGN |
| 9 way | TBH209BGN |
| 10 way | TBH210BGN |
| 11 way | TBH211BGN |
| 12 way | TBH212BGN |

Other ways available to special order

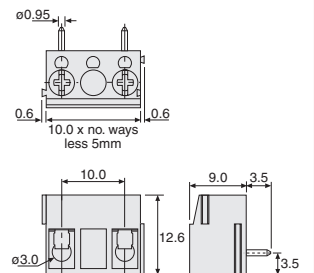
Specification

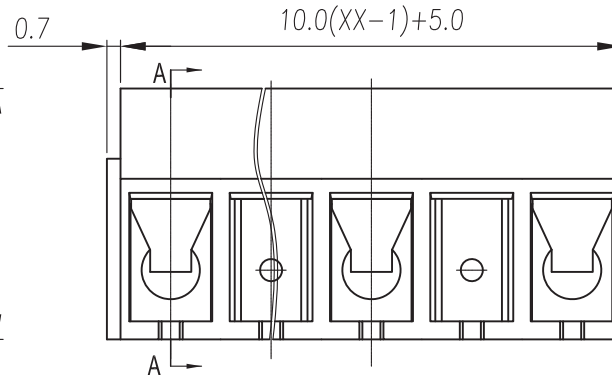
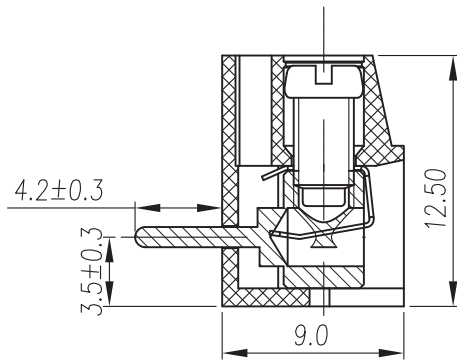
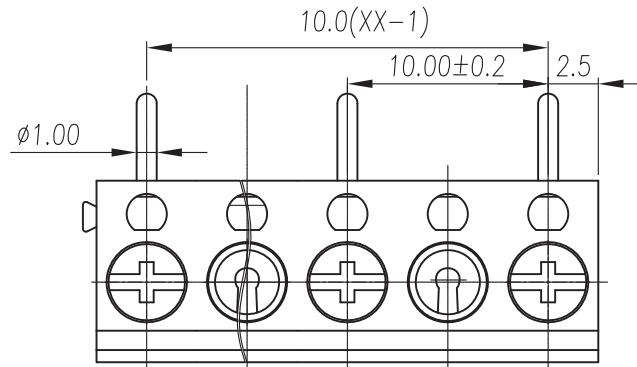
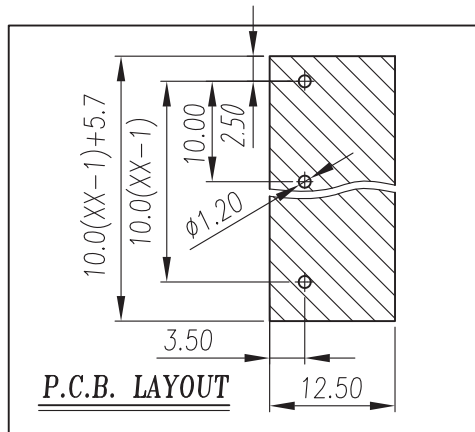
Materials
 Mouldings Black glass filled polyamide to UL94V-0
 Terminals Brass, tin plated
 Screws M2.6, galvanised steel chromate finish
 Wire guards Stainless steel

Ratings (limited by pcb)
 Current rating 16A
 Voltage rating 750Vac
 Oper. temp. range -33°C to +120°C

Wire Size
 Range 14 to 22awg
 Metric capacity 2.5mm² max. (solid)
 1.5mm² max. (stranded)

Dimensions (mm)





SPECIFICATION

Current Rating : 16A AC/DC
 Voltage Rating : 250V AC/DC
 Operation Temperature : -30°C to +120°C
 Contact Resistance : 20mΩ max.
 Insulation Resistance : 500MΩ Min.
 Withstand Voltage : 2000V AC/minute
 Wire Range : 24 ~ 14 AWG
 Max Soldering : +250°C for 5 Sec

Dimensions

Pitch : 10.0mm
 Poles : 2-12p

Mechanical

Torque (Max.): 0.5Nm
 Strip Length: 4.5 - 5mm

Material

Housing : PA66, UL94V-0
 Screws : M3.0 Steel, Zn plated
 Pin Header : Copper alloy Sn plated
 Shrapnel : Copper alloy, Ni plated

RoHS Compliant

| | | linear dimension(Tolerances Standard GB/T 14486-2008) | | | | | | | | | | ≡ | — | □ | // | ⊥ |
|----------------|------|---|---------------|---------------|---------------|---------------|----------------|-----------------|-----------------|-----------------|-------------|-----|-------|--------------|----------------|-------------|
| variable range | to 6 | over 6 to 10 | over 10 to 18 | over 18 to 30 | over 30 to 50 | over 50 to 80 | over 80 to 120 | over 120 to 160 | over 160 to 200 | over 200 to 250 | over 250 to | all | to 5 | over 5 to 30 | over 30 to 120 | over 120 to |
| tolerance | ±0.1 | ±0.14 | ±0.19 | ±0.25 | ±0.32 | ±0.43 | ±0.57 | ±0.72 | ±0.88 | ±1.05 | ±1.25 | 0.5 | 0.025 | 0.06 | 0.12 | 0.4 |

Taicom TBH2xxBGN

Title : Horizontal, 10mm Pitch, Wireguard

Tolerance (Unless Specified) :

Dim : (mm)

Angle :